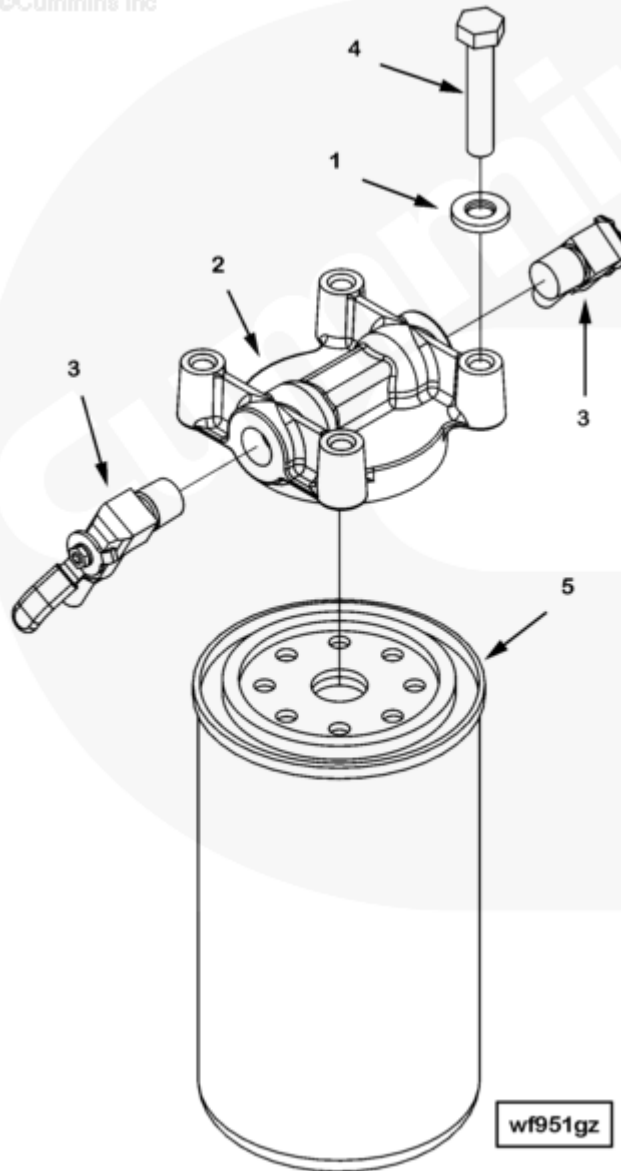




Parts Catalog - Option Detail

| Electronic Parts Catalog - Option Detail | | | | |
|--|--------------------------------|---------|-----------|-----------|
| Option | Group | Graphic | Film Card | Date |
| WF50004 | 08.08 | wf951gz | P23 | 01-OCT-06 |
| Engines | QSK23 CM2250 K109, QSK23 CM500 | | | |

©Cummins Inc



[SMALL](#) | [MEDIUM](#) | [LARGE](#)

| Cart | Ref No | Part Number | Part Description | Required | Remarks |
|------------------------------|--------|-------------------------|--------------------|----------|---------|
| View My Cart | | | | | |
| | | WF50004 | Corrosion Resistor | | |

| | | | | | |
|--------------------------|---|-------------------------|-------------------------|---|----|
| <input type="checkbox"/> | 1 | 3093799 | Plain Washer | 4 | M8 |
| <input type="checkbox"/> | 2 | 4095766 | Corrosion Resistor Head | 1 | |
| <input type="checkbox"/> | 3 | 4095767 | Shut-Off Valve | 2 | |
| <input type="checkbox"/> | 4 | 4095869 | Hexagon Head Cap Screw | 4 | |
| <input type="checkbox"/> | 5 | 4096199 | Corrosion Resistor | 1 | |

© 2019 Cummins Inc., Box 3005, Columbus, IN 47202-3005 U.S.A.
Terms of Use and Disclaimers | Recommended System Requirements
Need Assistance? Please click on the Contact Us button in the top right corner of any page.